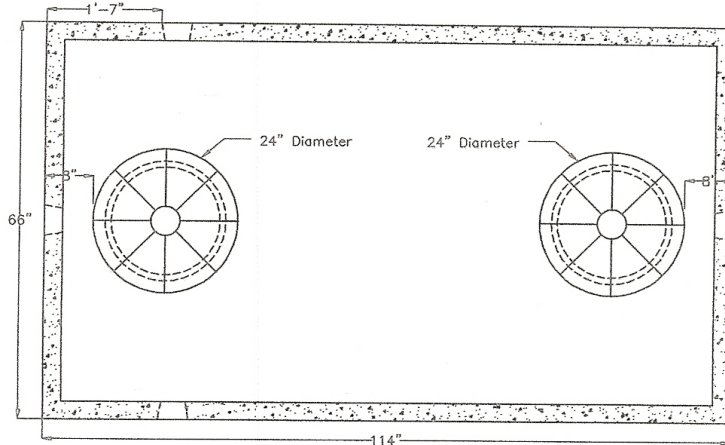


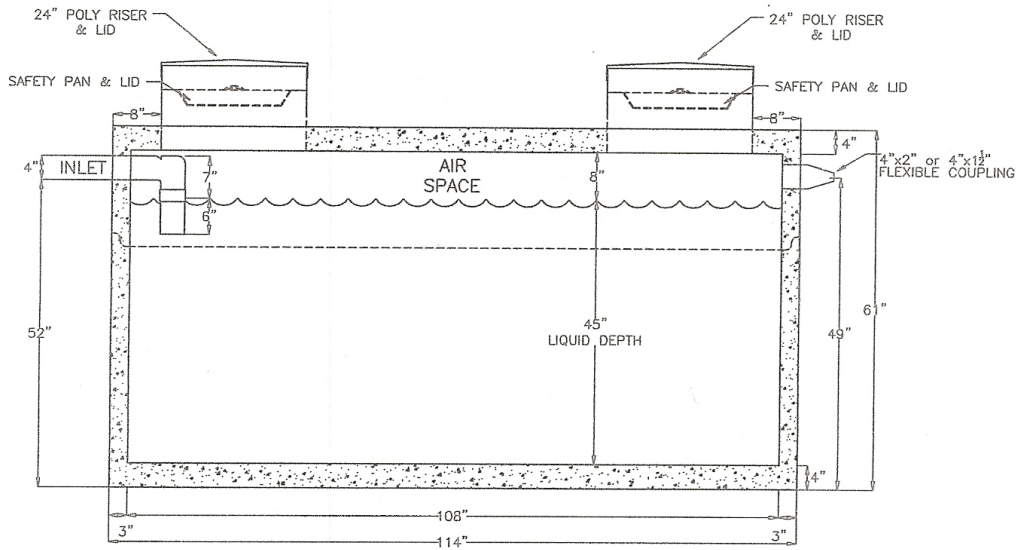


1541 S. County Road 450 E.
Greencastle, IN 46135

1250 Gallon Dosing



TOP VIEW



SIDE VIEW

Phone: 765-653-6533 • Fax: 765-653-4007
www.cashconcrete.com